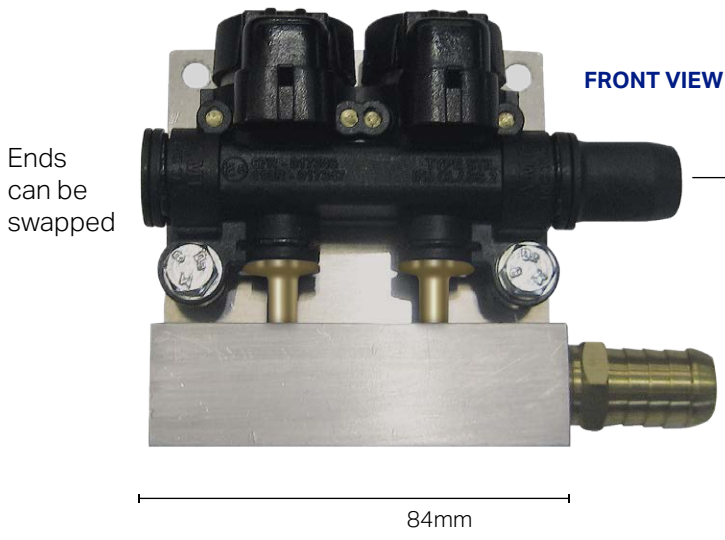


LPG / CNG / LNG Vapor Injectors

12 Volt and/or 24V version **rail assembly**
 Diesel blend systems and universal applications

European Approved
 E8 67R-017346
 110R - 017347
 Type STIL INJ Class 2

PART No.
CR-AMRINJR-2UP-12V or CR-AMRINJR-2UP-24V



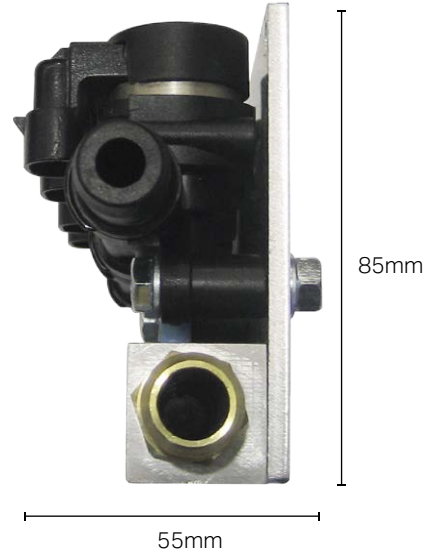
Ends
 can be
 swapped

Available Ø sizes:
 10mm / 12mm /
 14mm / 16mm

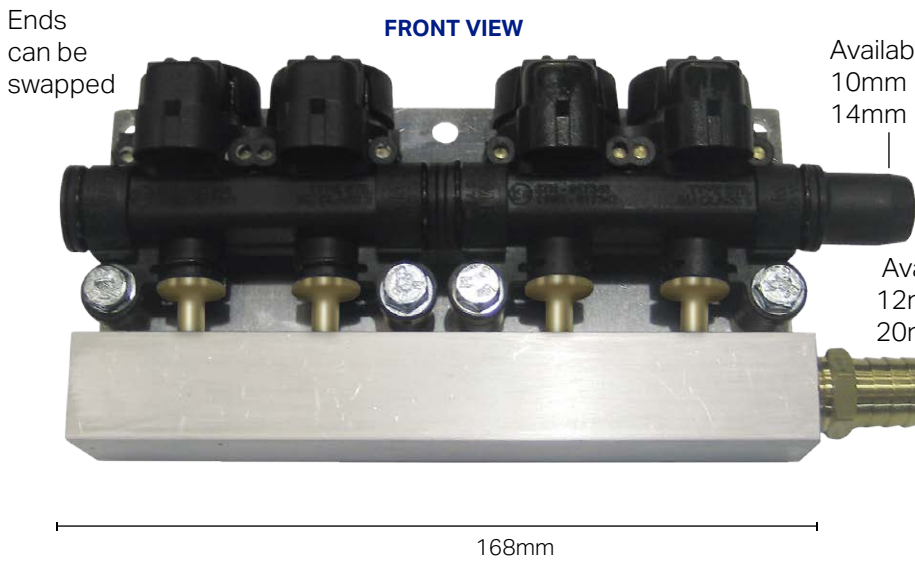
Available Ø sizes:
 12mm / 12.7mm / 16mm
 20mm / 25.4mm

84mm

SIDE VIEW



PART No.
CR-AMRINJR-4UP-12V or CR-AMRINJR-4UP-24V



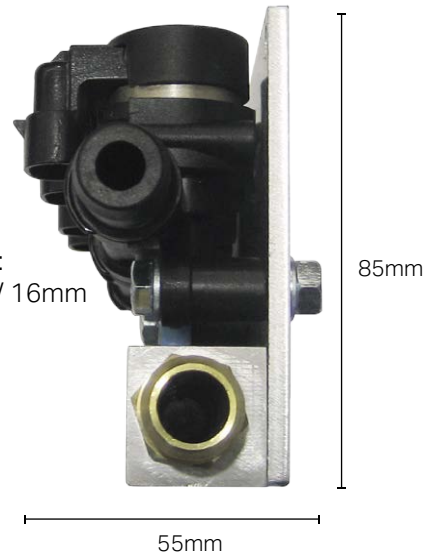
Ends
 can be
 swapped

Available in various Ø
 10mm / 12mm
 14mm / 16mm

Available Ø sizes:
 12mm / 12.7mm / 16mm
 20mm / 25.4mm

168mm

SIDE VIEW



Pressure and temperature sensor option is also available



TECHNICAL DATA	
Available Models	Single and double modules for any cylinder configuration
Working Pressure	from 0.5 to 3.0 bar from 7 to 43 psi
Max Working Pressure	3.0 bar 43 psi
Rated Voltage (at coil)	10.8 - 14.4 V
COIL TYPE	A2
Coil Resistance ($\pm 5\%$) at T=25°C	2.0 ohm - 1.5 ohm and 3.0 ohm also available
Suggested Peak Current Time	4.4A
Suggested Holding Current ($\pm 10\%$)	2.0A peak and hold
Opening Time Closing Time ($\pm 10\%$) (Total Injection Time 5ms)	2.45ms 1.9ms
Inlet Gas Fitting	Rubber Hose \varnothing - 10mm / 12mm / 14mm / 16mm
Gas Compatibility	LPG, CNG
Temperature Range	-40°C / +120°C

ACCESSORIES

HOSE CONNECTOR
 \varnothing Available in
 10mm / 12mm /
 14mm / 16mm



RAIL JOINER
 Join a single or
 double injector
 together



END PLUG
 Plug of any end
 of injector rail
 (O-Rings -
 BS013 on all)



**INJECTOR SOLENOID
 RETAINING CAP**



INJECTOR RAIL MOUNTS
 Anti-Vibration, M6 Thread



**REPLACEMENT INJECTOR
 SEATS, O-RINGS, SPRINGS**



**FLOW
 NOZZLES**
 (BS011
 O-Rings)



**INJECTOR
 GAS PRESSURE
 AND HEAT
 SENSOR
 FITTING**
 (BS013
 O-Ring)

